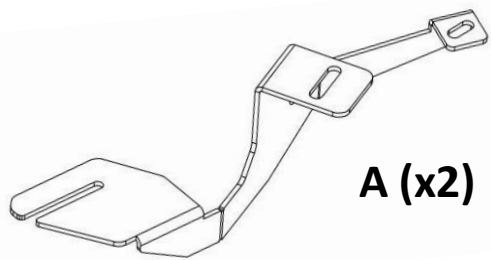
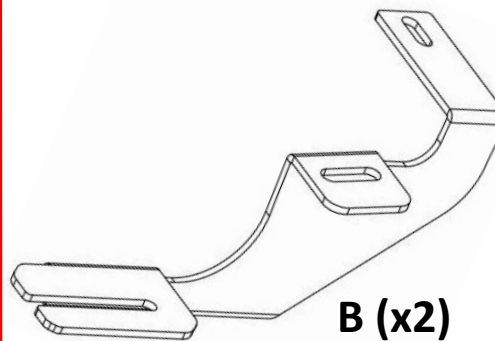


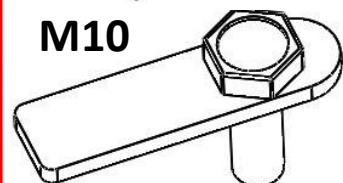
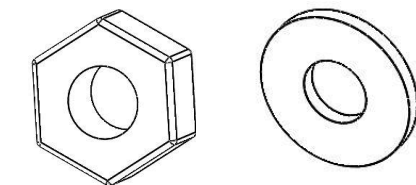
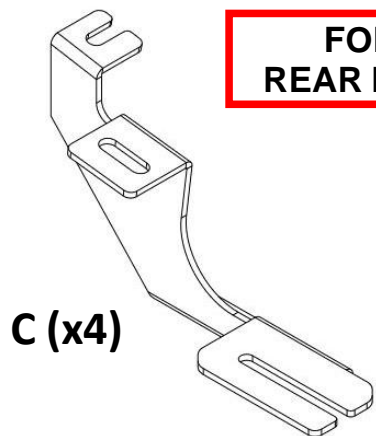
**FOR  
FRONT RIGHT**



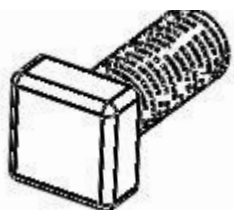
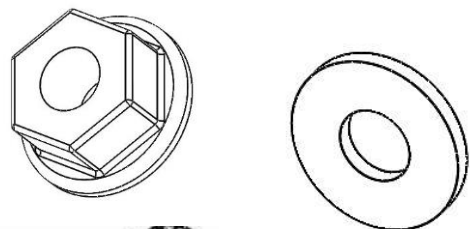
**FOR  
REAR RIGHT**



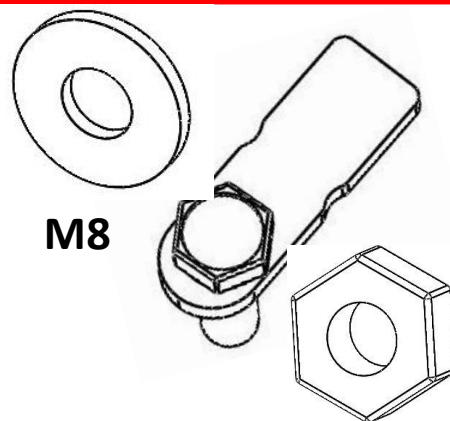
**FOR  
REAR LEFT**



D (x6)



M8 (x8)



E (x1)

*eh*

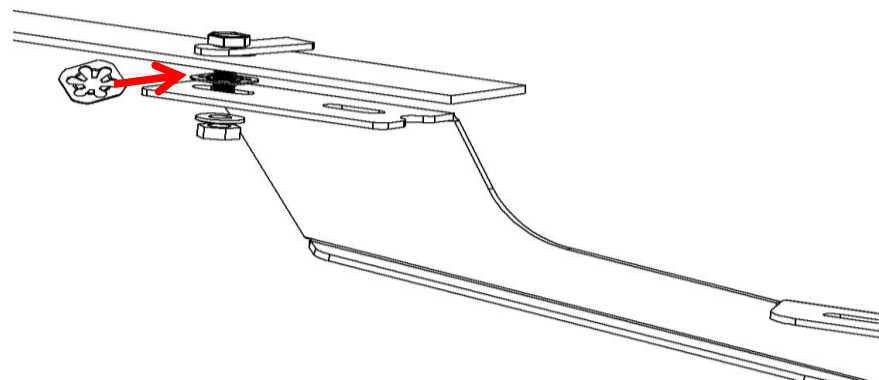
**ERKUL**<sup>®</sup>

Products & Quality

# TOYOTA RAV4 2013 → RUNNING BOARD

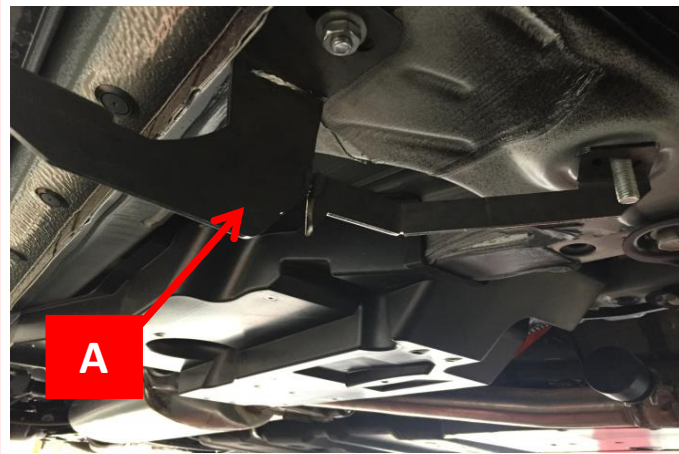


# instructions

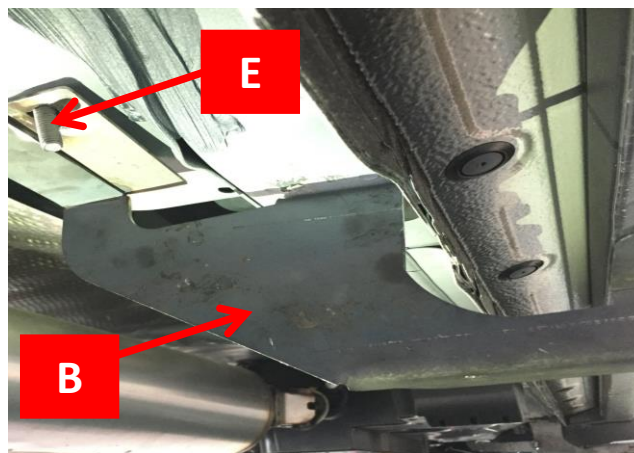




### FRONT BRACKET



### FRONT BRACKET



### REAR BRACKET

