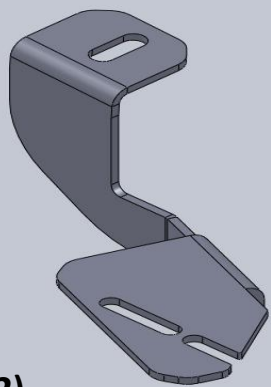
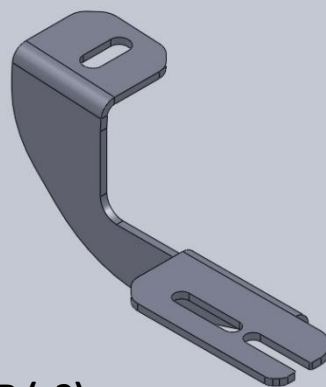




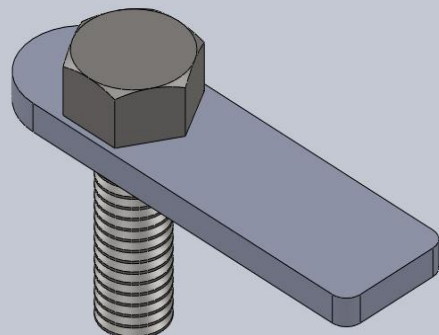
TOYOTA RAV4 2013 → RUNNING BOARD



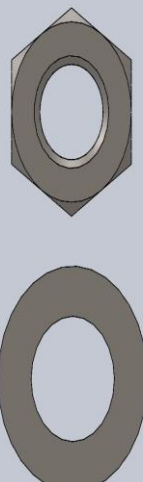
A (x2)



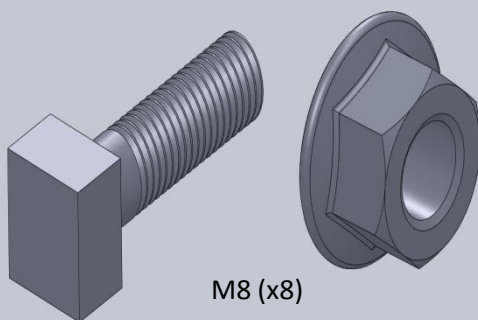
B (x2)



C (x4)



(x4)



M8 (x8)

- | | | | |
|------------|---------------------------------|------------|--------------------------------|
| TR | MONTAJ TALIMATI | GB | FITTING INSTRUCTIVOS |
| F | INSTRUCTIONS DE MONTAGE | P | INSTRUCOES DE MONTAGEM |
| NL | MONTAGEHANDLEIDING | PL | INSTRUCJE WBUDOWANIA |
| H | FELSZERESLESI UTASITAS | ENG | MOUNTING INSTRUCTIONS |
| D | EINBAUANLEITUNG | SWE | MONTAGEANVISNING |
| CZ | POKYNY PRO MONTAZ | SLO | NAVODILA ZA INSTALACIJO |
| ESP | INSTRUCCIONES DE MONTAJE | RU | Инструкция по установке |

