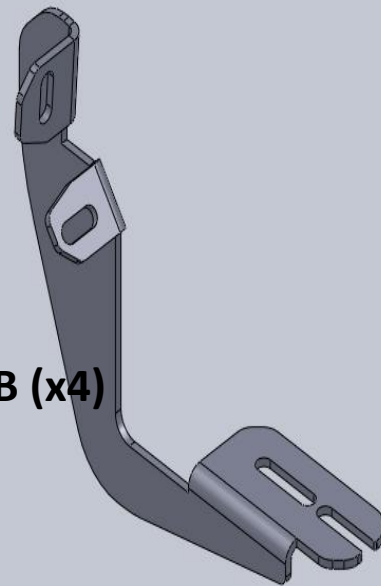
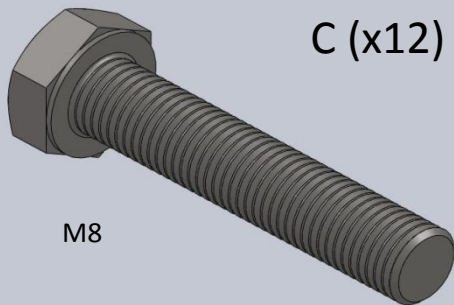


A (x2)

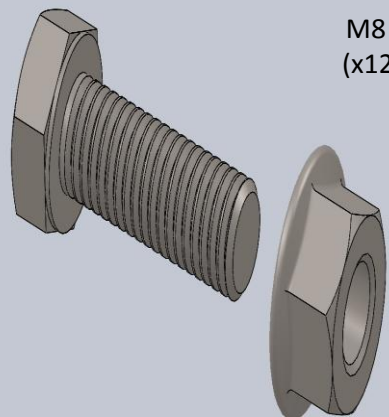
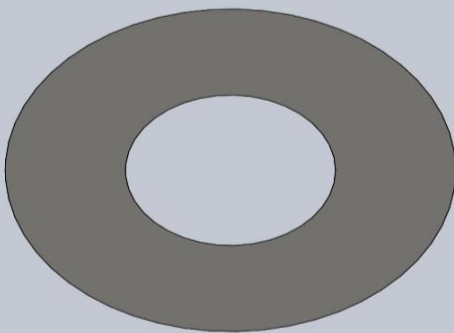


B (x4)



C (x12)

M8



M8
(x12)



FORD RANGER 2012 → RUNNING BOARD

- | | |
|---------------------------------------|--------------------------------------|
| (TR) MONTAJ TALIMATI | (GB) FITTING INSTRUCTIVOS |
| (F) INSTRUCTIONS DE MONTAGE | (P) INSTRUCOES DE MONTAGEM |
| (NL) MONTAGEHANDLEIDING | (PL) INSTRUCJE WBUDOANIA |
| (H) FELSZERESLESI UTASITAS | (ENG) MOUNTING INSTRUCTIONS |
| (D) EINBAUANLEITUNG | (SWE) MONTAGEANVISNING |
| (CZ) POKYNY PRO MONTAZ | (SLO) NAVODILA ZA INSTALACIJO |
| (ESP) INSTRUCCIONES DE MONTAJE | (RU) Инструкция по установке |

