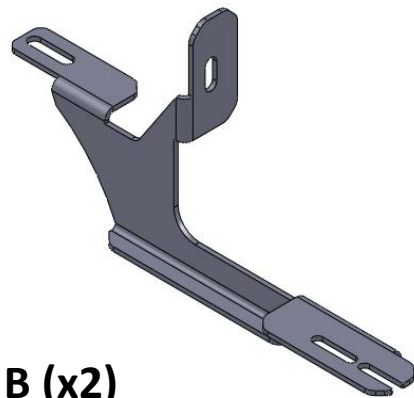
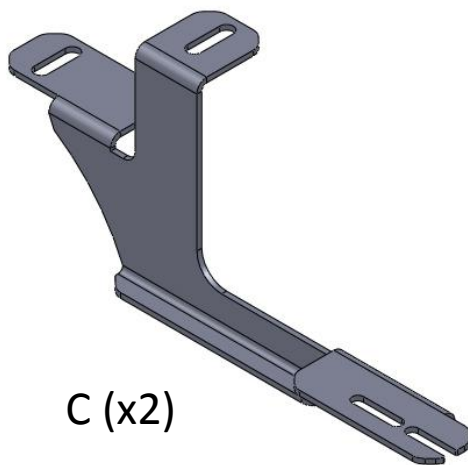


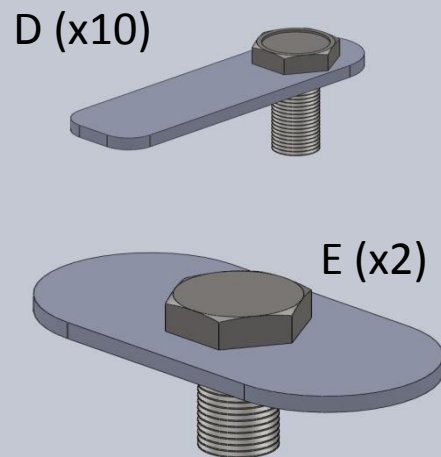
A (x2)



B (x2)



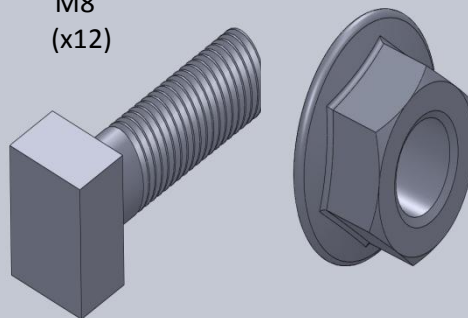
C (x2)



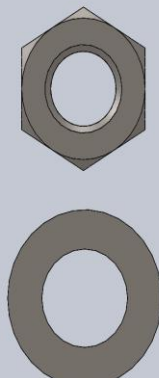
D (x10)

E (x2)

M8  
(x12)



M10  
(x12)



## VOLKSWAGEN TOUAREG 2003 – 2009 VOLKSWAGEN TOUAREG 2010 → RUNNING BOARD

- |            |                                 |            |                                |
|------------|---------------------------------|------------|--------------------------------|
| <b>TR</b>  | <b>MONTAJ TALIMATI</b>          | <b>GB</b>  | <b>FITTING INSTRUCTIOS</b>     |
| <b>F</b>   | <b>INSTRUCTIONS DE MONTAGE</b>  | <b>P</b>   | <b>INSTRUCOES DE MONTAGEM</b>  |
| <b>NL</b>  | <b>MONTAGEHANDLEIDING</b>       | <b>PL</b>  | <b>INSTRUCJE WBUDOANIA</b>     |
| <b>H</b>   | <b>FELSZERESLESI UTASITAS</b>   | <b>ENG</b> | <b>MOUNTING INSTRUCTIONS</b>   |
| <b>D</b>   | <b>EINBAUANLEITUNG</b>          | <b>SWE</b> | <b>MONTAGEANVISNING</b>        |
| <b>CZ</b>  | <b>POKYNY PRO MONTAZ</b>        | <b>SLO</b> | <b>NAVODILA ZA INSTALACIJO</b> |
| <b>ESP</b> | <b>INSTRUCCIONES DE MONTAJE</b> | <b>RU</b>  | <b>Инструкция по установке</b> |



**ERKUL**<sup>®</sup>

Products & Quality

[www.erkulauto.com](http://www.erkulauto.com)  
[info@erkulauto.com](mailto:info@erkulauto.com)

Tel: 0090 212 590 19 21  
Fax: 0090 212 590 19 22