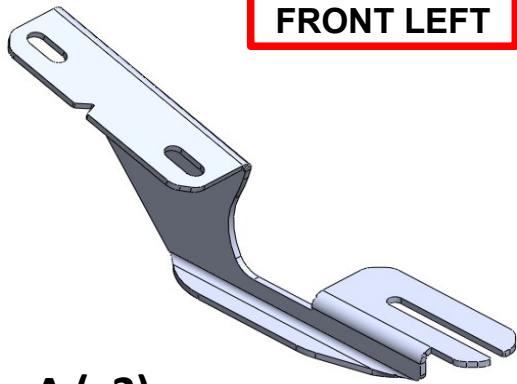
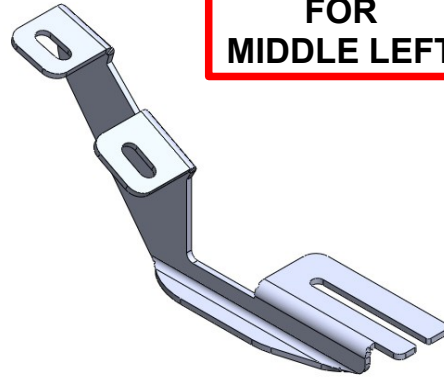


FOR  
FRONT LEFT



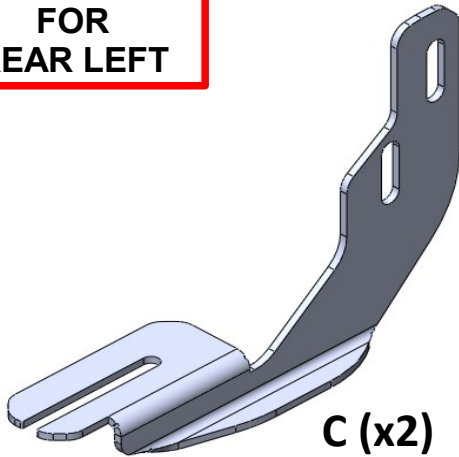
A (x2)

FOR  
MIDDLE LEFT



B (x2)

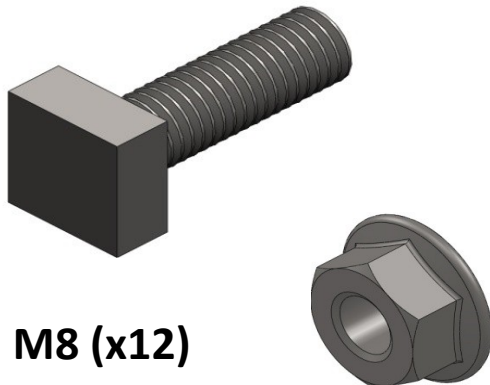
FOR  
REAR LEFT



C (x2)



D M8x25 (x10)



M8 (x12)

M8 (x2)



M8 (x12)



**ERKUL**<sup>®</sup>

Products & Quality

# TOYOTA HI-LUX REVO 2015 → RUNNING BOARD



# instructions



## FRONT BRACKET

## MIDDLE BRACKET

## REAR BRACKET

F1



M1



R1



F2



M2



R2

