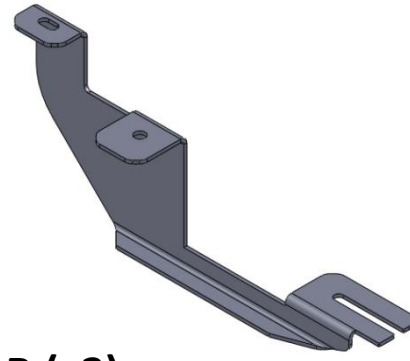
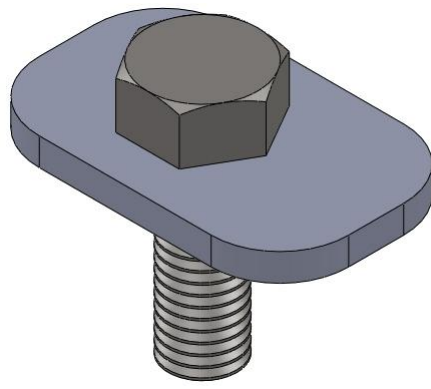


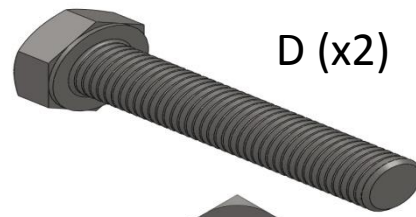
A (x2)



B (x2)

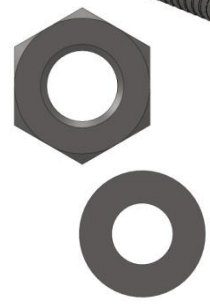


C (x4)

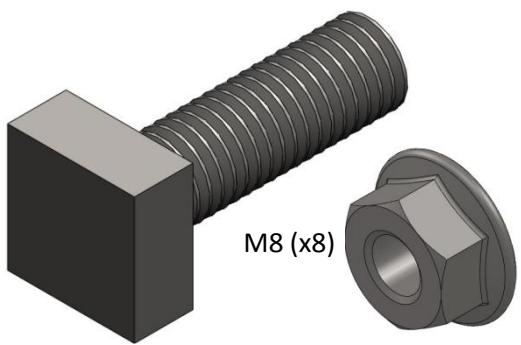


D (x2)

M8  
(x2)

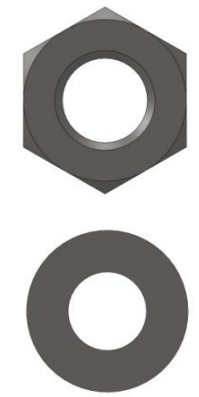


M8  
(x4)



M8 (x8)

M10  
(x4)



# DACIA DUSTER 2010 → RUNNING BOARD

- |                                     |                                    |
|-------------------------------------|------------------------------------|
| <b>TR</b> MONTAJ TALIMATI           | <b>GB</b> FITTING INSTRUCTIOS      |
| <b>F</b> INSTRUCTIONS DE MONTAGE    | <b>P</b> INSTRUCOES DE MONTAGEM    |
| <b>NL</b> MONTAGEHANDLEIDING        | <b>PL</b> INSTRUCJE WBUDOANIA      |
| <b>H</b> FELSZERESLESI UTASITAS     | <b>ENG</b> MOUNTING INSTRUCTIONS   |
| <b>D</b> EINBAUANLEITUNG            | <b>SWE</b> MONTAGEANVISNING        |
| <b>CZ</b> POKYNY PRO MONTAZ         | <b>SLO</b> NAVODILA ZA INSTALACIJO |
| <b>ESP</b> INSTRUCCIONES DE MONTAJE | <b>RU</b> Инструкция по установке  |



## ERKUL®

Products & Quality

[www.erkulauto.com](http://www.erkulauto.com)  
[info@erkulauto.com](mailto:info@erkulauto.com)

Tel: 0090 212 590 19 21  
Fax: 0090 212 590 19 22

