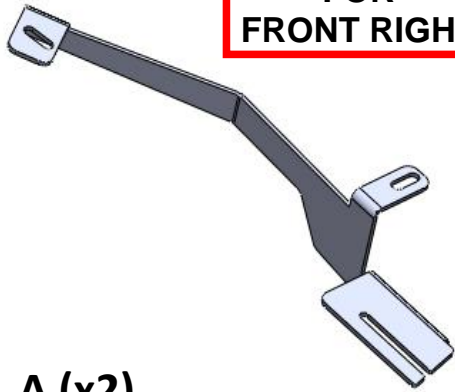
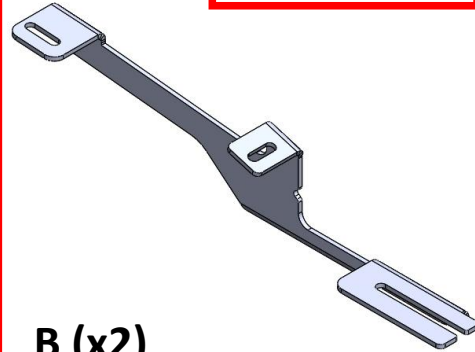


FOR
FRONT RIGHT



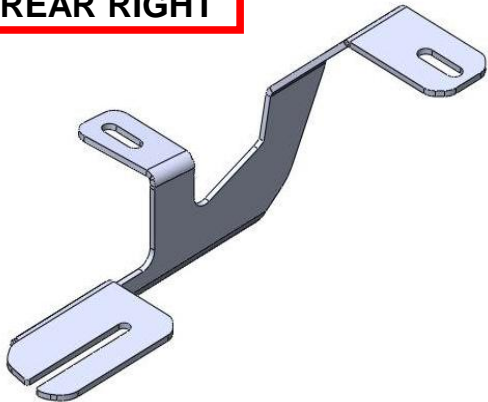
A (x2)

FOR
MIDDLE RIGHT



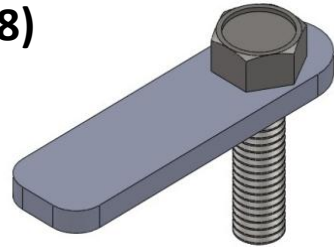
B (x2)

FOR
REAR RIGHT

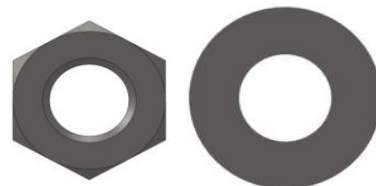


C (x2)

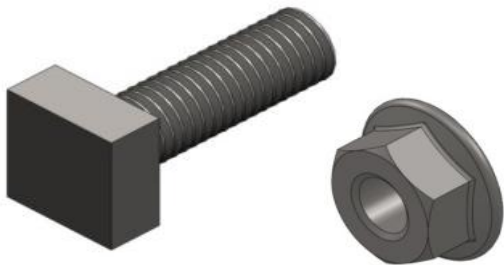
D (x8)



M10 (x8)



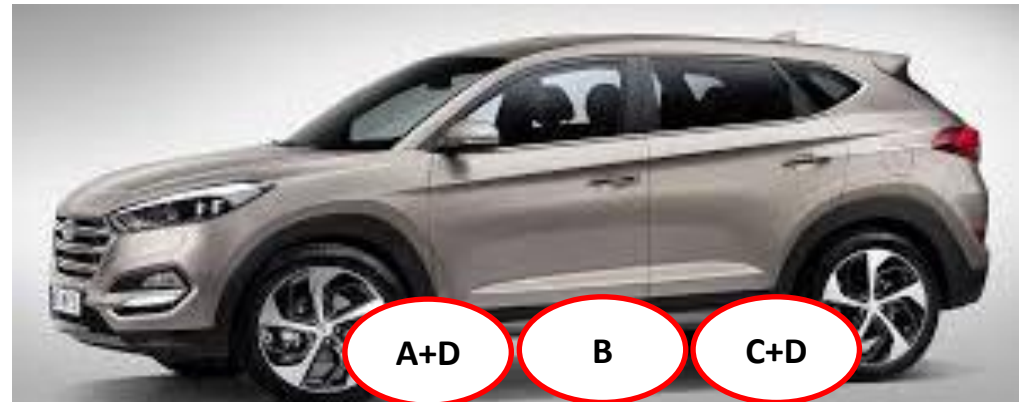
M8 (x12)



eh

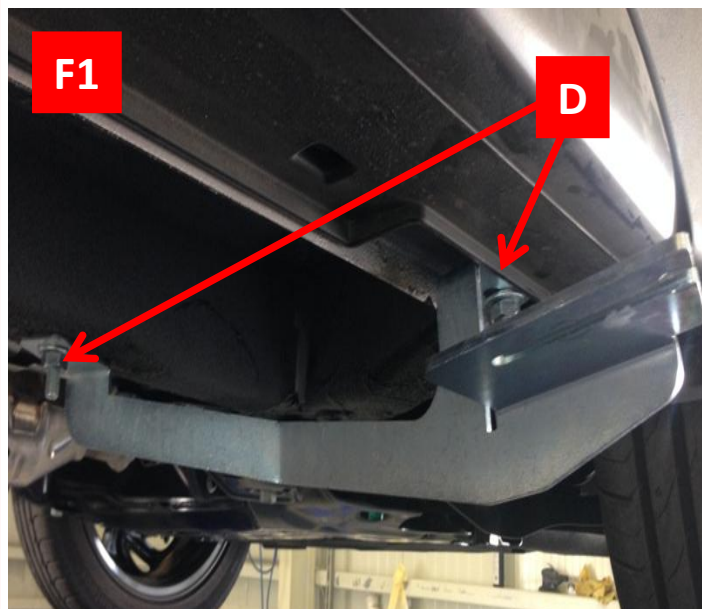
ERKUL[®]
Products & Quality

HYUNDAI TUCSON 2015[?] RUNNING BOARD



instructions

FRONT BRACKET



MIDDLE BRACKET



REAR BRACKET

