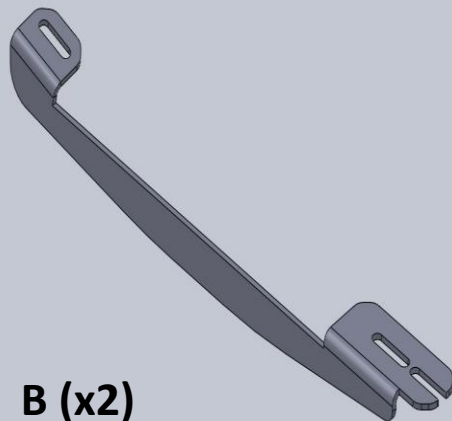
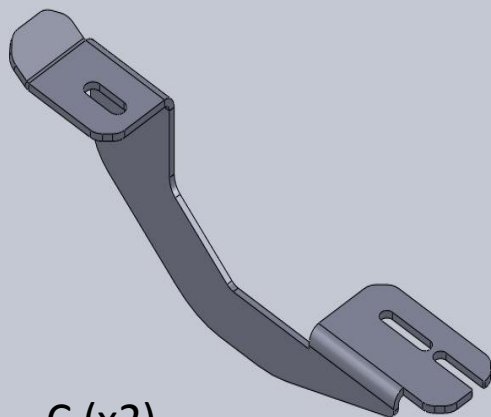


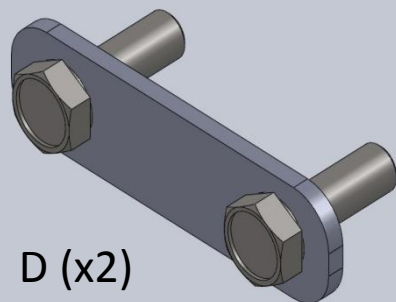
A (x2)



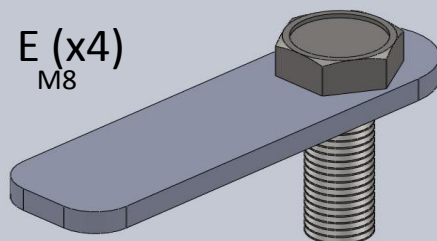
B (x2)



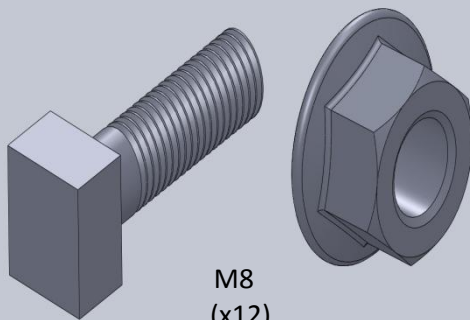
C (x2)



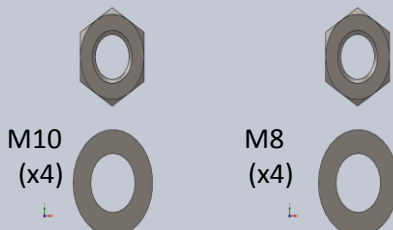
D (x2)



E (x4)
M8



M8
(x12)



M10
(x4)

M8
(x4)



MITSUBISHI OUTLANDER 2007-2012 RUNNING BOARD

- | | |
|---------------------------------------|--------------------------------------|
| (TR) MONTAJ TALIMATI | (GB) FITTING INSTRUCTIVOS |
| (F) INSTRUCTIONS DE MONTAGE | (P) INSTRUÇÕES DE MONTAGEM |
| (NL) MONTAGEHANDLEIDING | (PL) INSTRUCJE WBUDOWANIA |
| (H) FELSZERESLESI UTASITAS | (ENG) MOUNTING INSTRUCTIONS |
| (D) EINBAUANLEITUNG | (SWE) MONTAGEANVISNING |
| (CZ) POKYNY PRO MONTAZ | (SLO) NAVODILA ZA INSTALACIJO |
| (ESP) INSTRUCCIONES DE MONTAJE | (RU) Инструкция по установке |

