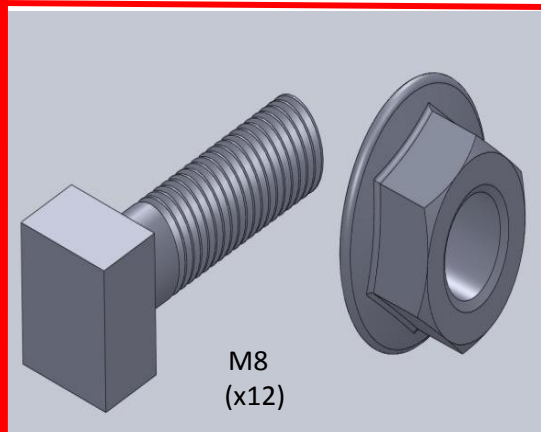


A (x6)

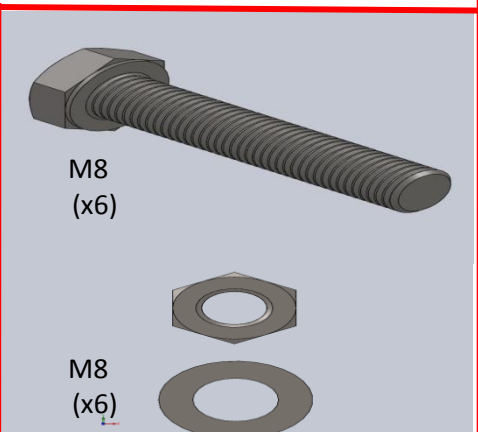


**MITSUBISHI L200 TRITON 2006 →
RUNNING BOARD**

- | | |
|---------------------------------------|--------------------------------------|
| (TR) MONTAJ TALIMATI | (GB) FITTING INSTRUCTIVOS |
| (F) INSTRUCTIONS DE MONTAGE | (P) INSTRUCOES DE MONTAGEM |
| (NL) MONTAGEHANDLEIDING | (PL) INSTRUCJE WBUDOANIA |
| (H) FELSZERESLESI UTASITAS | (ENG) MOUNTING INSTRUCTIONS |
| (D) EINBAUANLEITUNG | (SWE) MONTAGEANVISNING |
| (CZ) POKYNY PRO MONTAZ | (SLO) NAVODILA ZA INSTALACIJO |
| (ESP) INSTRUCCIONES DE MONTAJE | (RU) Инструкция по установке |



M8 (x12)



M8 (x6)

M8 (x6)