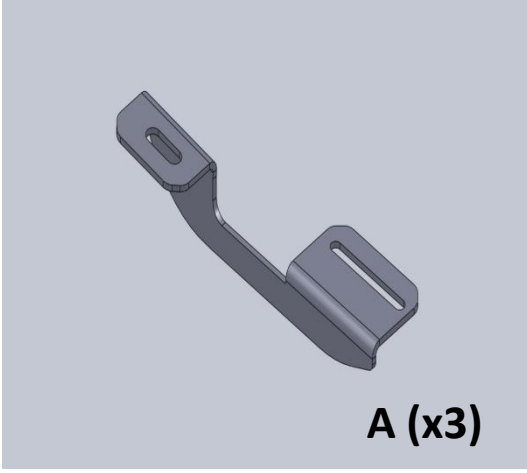
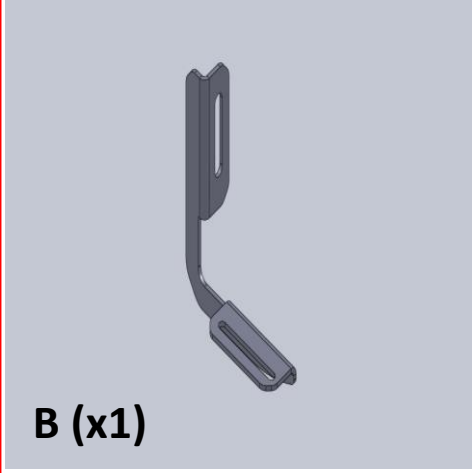




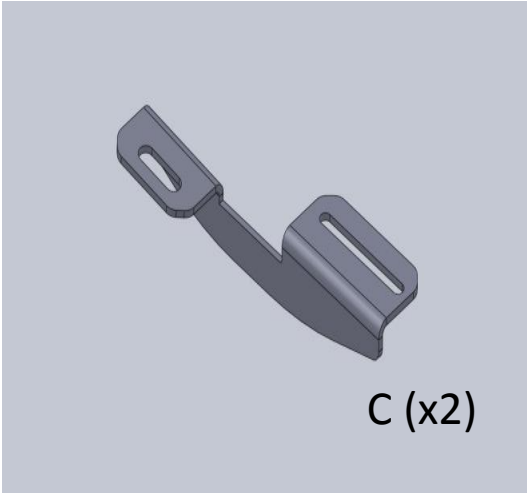
**MERCEDES VITO 2003 →  
RUNNING BOARD**



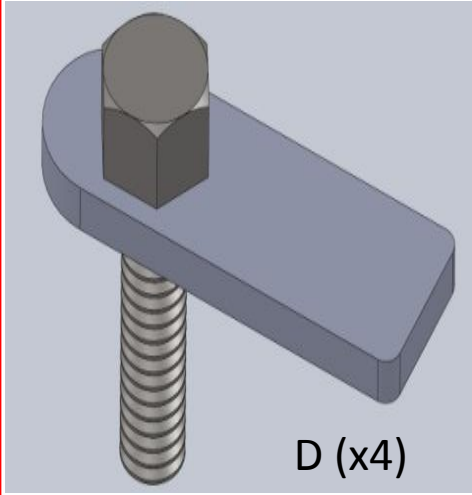
**A (x3)**



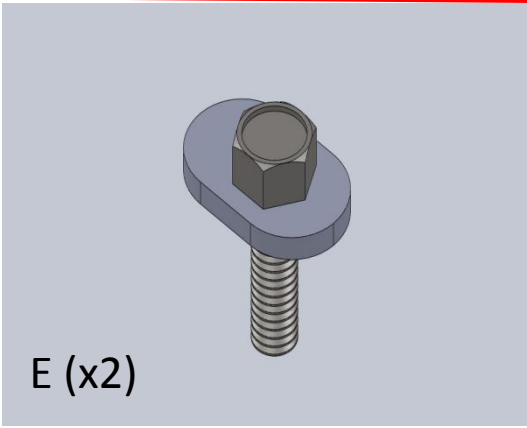
**B (x1)**



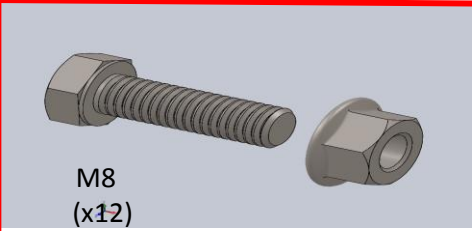
**C (x2)**



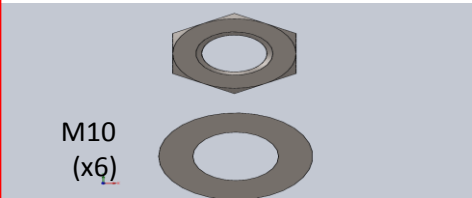
**D (x4)**



**E (x2)**



**M8  
(x12)**



**M10  
(x6)**

- |                                       |                                      |
|---------------------------------------|--------------------------------------|
| <b>(TR)</b> MONTAJ TALIMATI           | <b>(GB)</b> FITTING INSTRUCTIVOS     |
| <b>(F)</b> INSTRUCTIONS DE MONTAGE    | <b>(P)</b> INSTRUÇÕES DE MONTAGEM    |
| <b>(NL)</b> MONTAGEHANDLEIDING        | <b>(PL)</b> INSTRUCJE WBUDOWANIA     |
| <b>(H)</b> FELSZERESLESI UTASITAS     | <b>(ENG)</b> MOUNTING INSTRUCTIONS   |
| <b>(D)</b> EINBAUANLEITUNG            | <b>(SWE)</b> MONTAGEANVISNING        |
| <b>(CZ)</b> POKYNY PRO MONTAZ         | <b>(SLO)</b> NAVODILA ZA INSTALACIJO |
| <b>(ESP)</b> INSTRUCCIONES DE MONTAJE | <b>(RU)</b> Инструкция по установке  |

