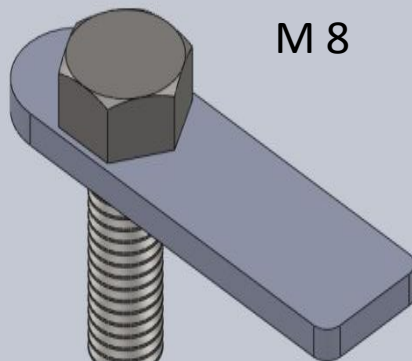


A (x6)



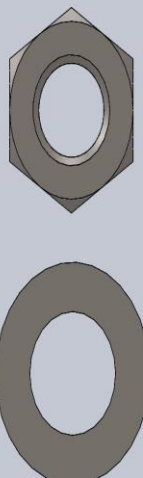
B (x6)

M 8

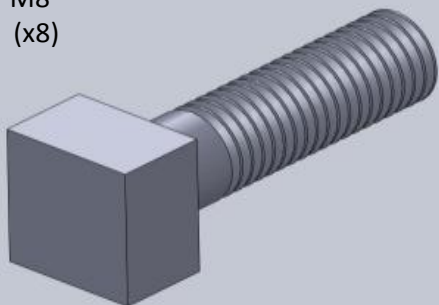


C (x2)

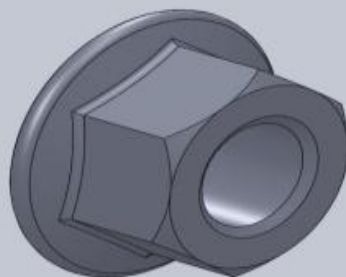
M8
(x2)



M8
(x8)



M8
(x8)



KIA SORENTO 2002-2009 RUNNING BOARD

- | | |
|---------------------------------------|--------------------------------------|
| (TR) MONTAJ TALIMATI | (GB) FITTING INSTRUCTIOS |
| (F) INSTRUCTIONS DE MONTAGE | (P) INSTRUCOES DE MONTAGEM |
| (NL) MONTAGEHANDLEIDING | (PL) INSTRUCJE WBUDOANIA |
| (H) FELSZERESLESI UTASITAS | (ENG) MOUNTING INSTRUCTIONS |
| (D) EINBAUANLEITUNG | (SWE) MONTAGEANVISNING |
| (CZ) POKYNY PRO MONTAZ | (SLO) NAVODILA ZA INSTALACIJO |
| (ESP) INSTRUCCIONES DE MONTAJE | (RU) Инструкция по установке |



ERKUL[®]

Products & Quality

www.erkulauto.com
info@erkulauto.com

Tel: 0090 212 590 19 21
Fax: 0090 212 590 19 22

