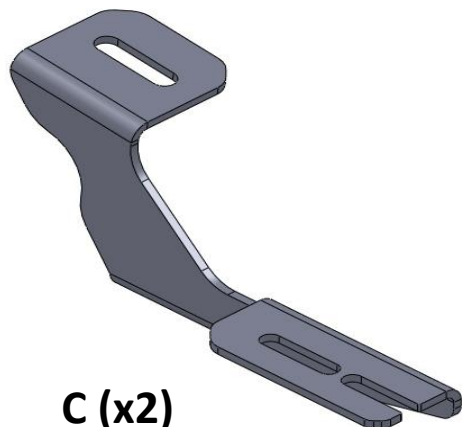


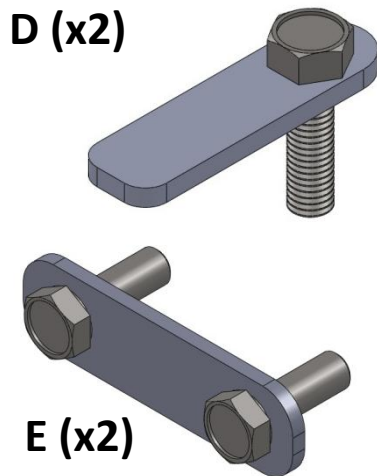
A (x2)



B (x2)

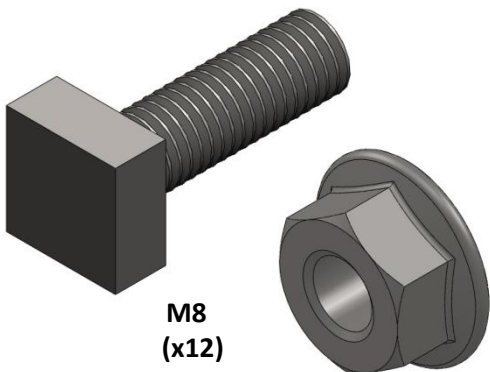


C (x2)

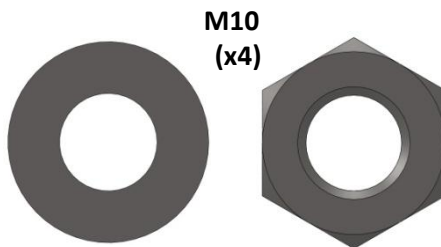


D (x2)

E (x2)



M8
(x12)



M10
(x4)

M8
(x4)



CHREYSLER COMPASS 2011 → RUNNING BOARD

- | | |
|---------------------------------------|--------------------------------------|
| (TR) MONTAJ TALIMATI | (GB) FITTING INSTRUCTIOS |
| (F) INSTRUCTIONS DE MONTAGE | (P) INSTRUCOES DE MONTAGEM |
| (NL) MONTAGEHANDLEIDING | (PL) INSTRUCJE WBUDOANIA |
| (H) FELSZERESLESI UTASITAS | (ENG) MOUNTING INSTRUCTIONS |
| (D) EINBAUANLEITUNG | (SWE) MONTAGEANVISNING |
| (CZ) POKYNY PRO MONTAZ | (SLO) NAVODILA ZA INSTALACIJO |
| (ESP) INSTRUCCIONES DE MONTAJE | (RU) Инструкция по установке |



ERKUL[®]

Products & Quality

www.erkulauto.com
info@erkulauto.com

Tel: 0090 212 590 19 21
Fax: 0090 212 590 19 22

