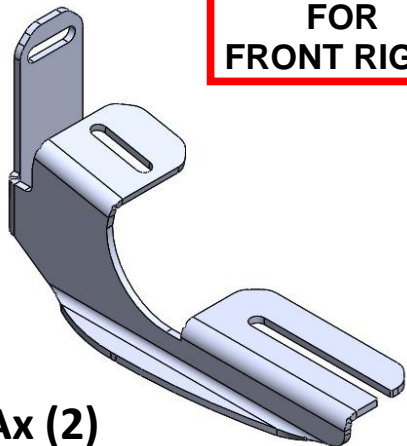
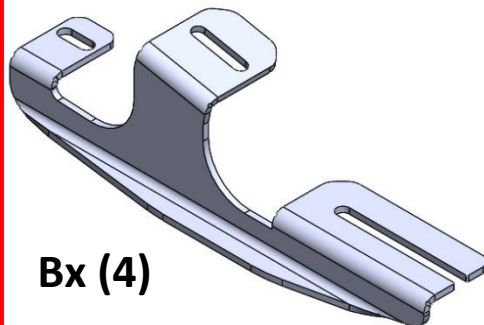


**FOR  
FRONT RIGHT**

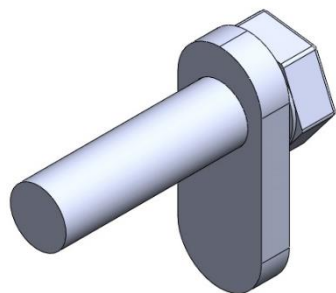


**Ax (2)**

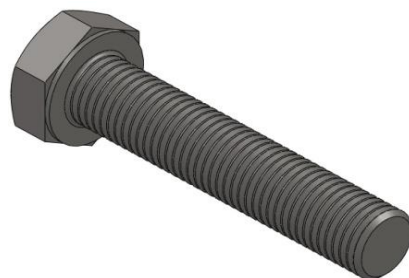
**FOR  
MIDDLE LEFT  
REAR RIGHT**



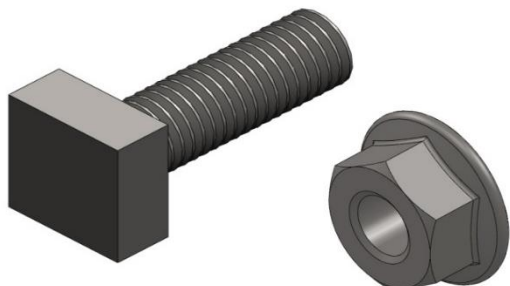
**Bx (4)**



**Cx (2)**



**D  
M8x25 (x10)**



**M8 (x12)**

**M8 (x12)**



**M8 (x2)**



**ERKUL®**

*Products & Quality*

**HONDA PILOT  
2008-2015  
RUNNING BOARD**



**instructions**

