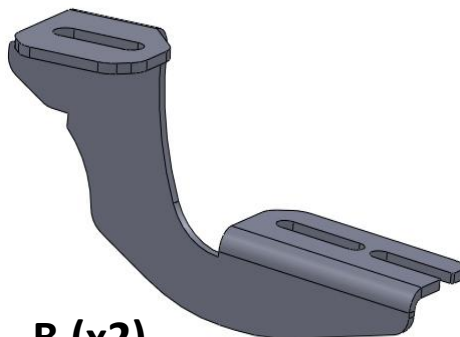
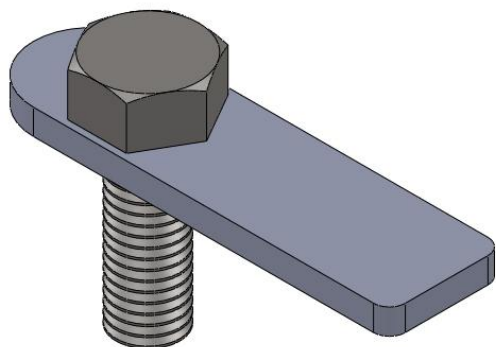


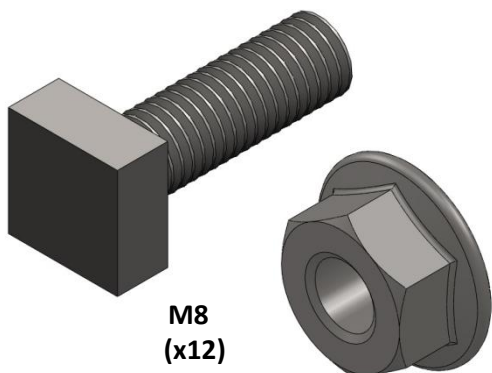
A (x4)



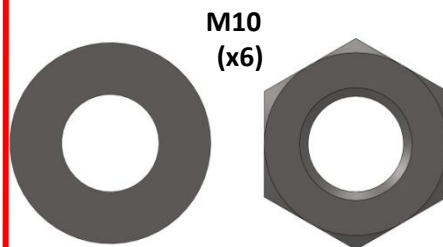
B (x2)



C (x6)



M8
(x12)



M10
(x6)



CHREYSLER CHEROKEE 2011 → RUNNING BOARD

- | | | | |
|------------|---------------------------------|------------|--------------------------------|
| TR | MONTAJ TALIMATI | GB | FITTING INSTRUCTIOS |
| F | INSTRUCTIONS DE MONTAGE | P | INSTRUCOES DE MONTAGEM |
| NL | MONTAGEHANDLEIDING | PL | INSTRUCJE WBUDOANIA |
| H | FELSZERESLESI UTASITAS | ENG | MOUNTING INSTRUCTIONS |
| D | EINBAUANLEITUNG | SWE | MONTAGEANVISNING |
| CZ | POKYNY PRO MONTAZ | SLO | NAVODILA ZA INSTALACIJO |
| ESP | INSTRUCCIONES DE MONTAJE | RU | Инструкция по установке |

ERKUL[®]

Products & Quality

www.erkulauto.com
info@erkulauto.com

Tel: 0090 212 590 19 21
Fax: 0090 212 590 19 22

