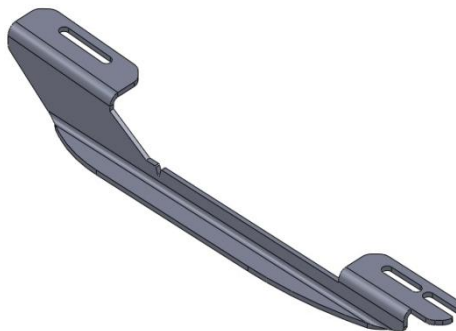
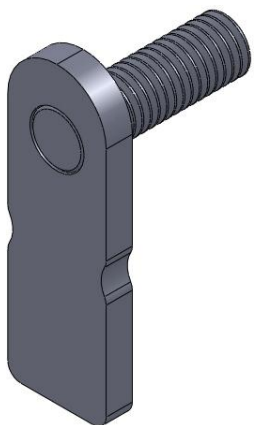


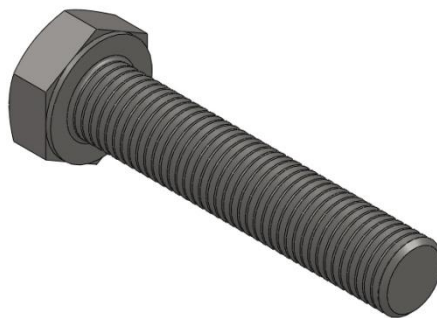
A (Lx2 / Rx2)



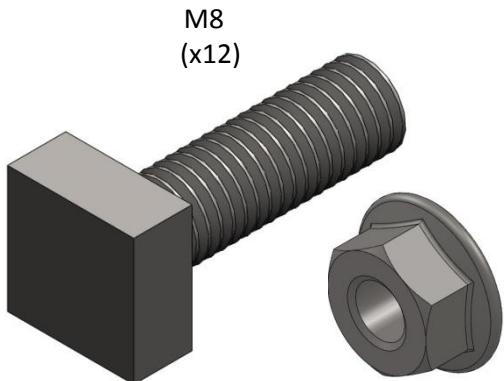
B (x2)



C (x4)



M8
(x4)



M8
(x12)



M8
(x6)



M8
(x10)



DACIA LOGAN MCV 2007 → RUNNING BOARD

- | | |
|-------------------------------------|------------------------------------|
| TR MONTAJ TALIMATI | GB FITTING INSTRUCTIOS |
| F INSTRUCTIONS DE MONTAGE | P INSTRUCOES DE MONTAGEM |
| NL MONTAGEHANDLEIDING | PL INSTRUCJE WBUDOANIA |
| H FELSZERESLESI UTASITAS | ENG MOUNTING INSTRUCTIONS |
| D EINBAUANLEITUNG | SWE MONTAGEANVISNING |
| CZ POKYNY PRO MONTAZ | SLO NAVODILA ZA INSTALACIJO |
| ESP INSTRUCCIONES DE MONTAJE | RU Инструкция по установке |

ERKUL[®]

Products & Quality

www.erkulauto.com
info@erkulauto.com

Tel: 0090 212 590 19 21
Fax: 0090 212 590 19 22