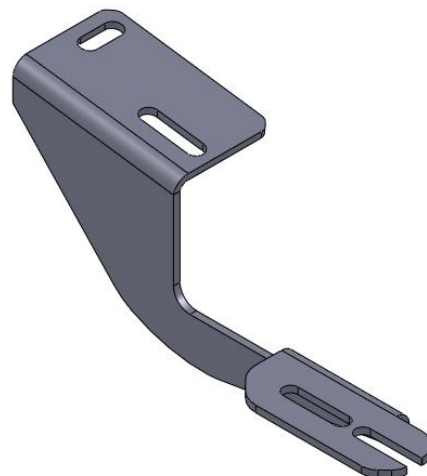
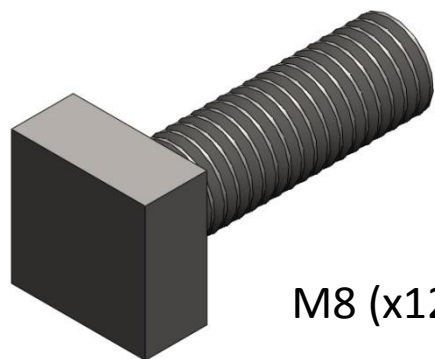


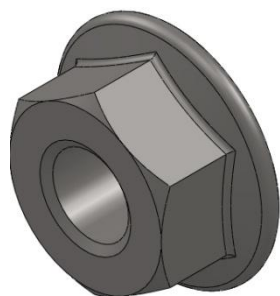
A+B (x4)



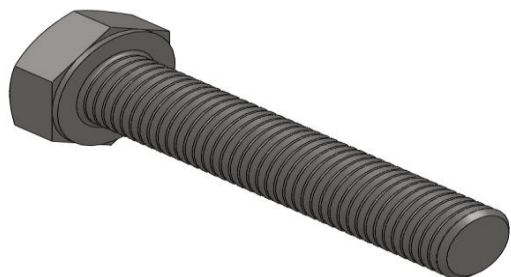
C (x2)



M8 (x12)



M8 (x12)



M8x30 (x12)

M8  
(x4)



M8  
(x16)



**CHEVROLET CAPTIVA 2006→  
OPEL ANTARA 2007→  
RUNNING BOARD**

- |                                       |                                      |
|---------------------------------------|--------------------------------------|
| <b>(TR)</b> MONTAJ TALIMATI           | <b>(GB)</b> FITTING INSTRUCTIOS      |
| <b>(F)</b> INSTRUCTIONS DE MONTAGE    | <b>(P)</b> INSTRUCOES DE MONTAGEM    |
| <b>(NL)</b> MONTAGEHANDLEIDING        | <b>(PL)</b> INSTRUCJE WBUDOANIA      |
| <b>(H)</b> FELSZERESLESI UTASITAS     | <b>(ENG)</b> MOUNTING INSTRUCTIONS   |
| <b>(D)</b> EINBAUANLEITUNG            | <b>(SWE)</b> MONTAGEANVISNING        |
| <b>(CZ)</b> POKYNY PRO MONTAZ         | <b>(SLO)</b> NAVODILA ZA INSTALACIJO |
| <b>(ESP)</b> INSTRUCCIONES DE MONTAJE | <b>(RU)</b> Инструкция по установке  |



**ERKUL®**

Products & Quality

[www.erkulauto.com](http://www.erkulauto.com)  
[info@erkulauto.com](mailto:info@erkulauto.com)

Tel: 0090 212 590 19 21  
Fax: 0090 212 590 19 22

